

BROKK

150



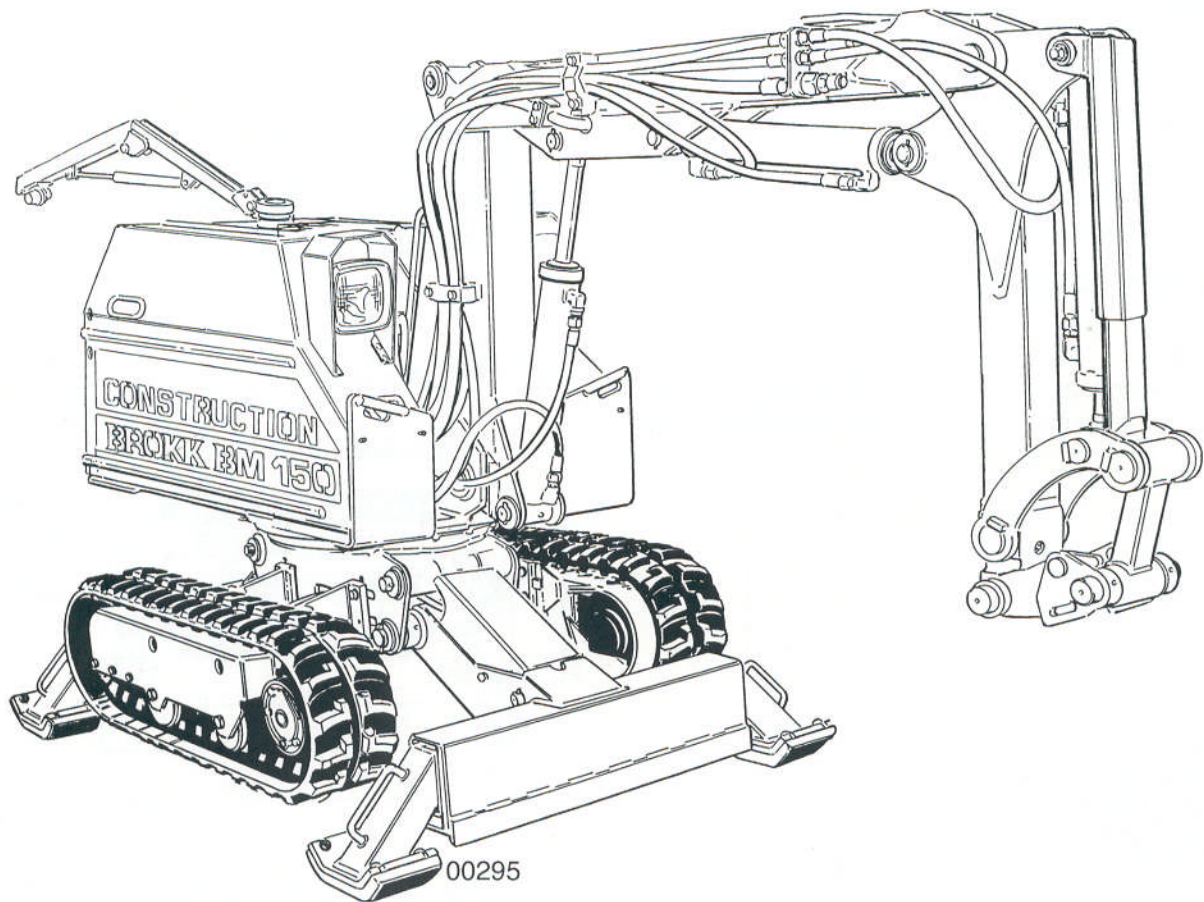
Reliable demolition machine *with capacity*



HOLMHED SYSTEMS AB

BROKK

Technical Data



BROKK 150 CONSTRUCTION

Technical Data BROKK 150 CONSTRUCTION

Dimensions

Transport length, excl. of attachment	2340 mm
Transport height, lowest	1245 mm
Transport width	
• Normal position	1130 mm
• Driving tracks at inner position and removed outrigger feet	780 mm
Operating width, outriggers extended	1200 mm
Ground clearance	200 mm
Track gauge	200 mm
Track length	1180 mm
Rock blade (front and rear)	780x195 mm
Working radius (depending on tool)	3.5-4.5 m

Weights

Weight, complete excl of attachment	1630 kg
Ground pressure, tracks	0.048 N/mm ²

Performance

Maximum slewing arm speed	7s/360°
Maximum transport speed	1.0 m/s
Maximum gradient	30°

Electric motor

Type	ABB type MBT 160L
Effect	15 kW
Rotation speed	Acc. to machine plate
Voltage/frequency	Indic. by mach plate

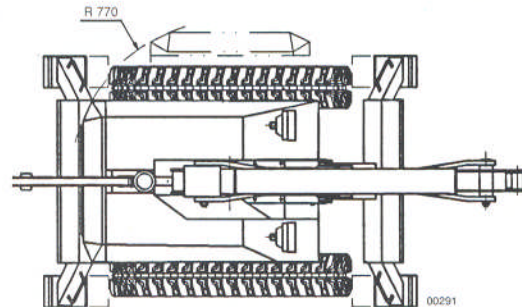
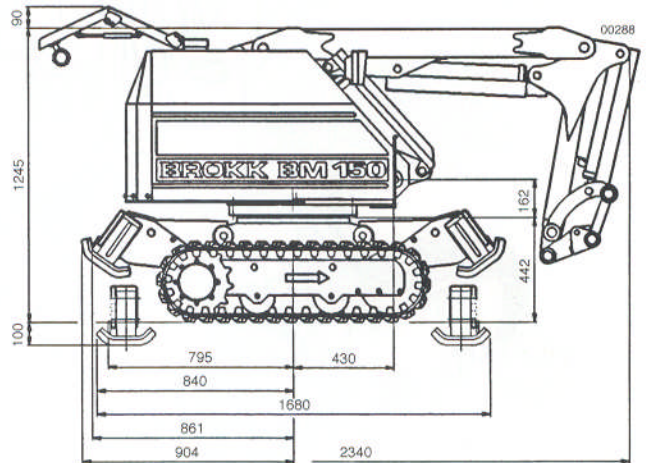
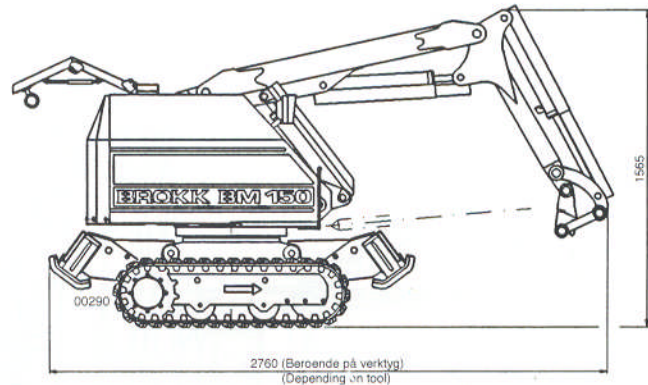
Amperage	Indic. by mach plate
Starting device	Y/D-starter

Control system

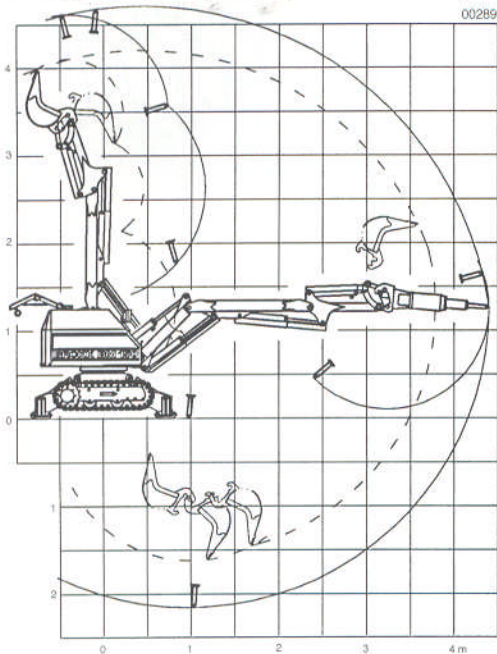
Control unit	Portable operating box
Transmission	Cable/Radio
Signal code	Digital

Hydraulic system

Volume hydraulic tank	approx 56 litres
Type of pump	Variable load-sensing piston pump
Standard system pressure	16.5 MPa
Flow	0-61 l/min



Specifications subject to alteration without prior notice.



HOLMHED SYSTEMS AB

PO Box 730
931 27 Skellefteå • Sweden
Tel: +46 (0)910-884 00
Fax: +46 (0)910-885 55

Distributor

Utf/Dpt	Godk./Appr.	Datum/Date	Rev./Issue	S-kl./S-cl.	Från maskin nr. / From machine No.	Art.nr./Part No.
96/K	ANg/(ANg)	960216	A	0	940 000	3136 8003 72